

CAF

Smoke damper for BXC extract unit



Silent working
(minimum pressure drop)

Very low leakage



Easy to install

No need to rearm (no fuse),
no electricity

Horizontal mounting,
for interior applications



Maintenance free



Stops the propagation of fire cold smokes through ventilation ducts.

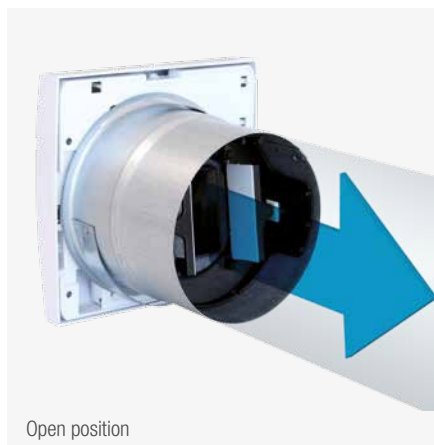
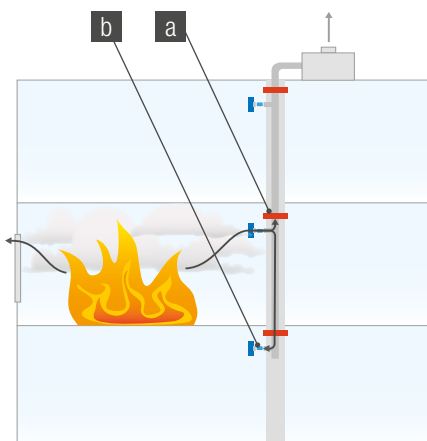
Especially designed for BXC extract unit (integrated in Ø125 mm spigot).

Easy and efficient (1)

When the fire occurs as illustrated on the scheme left, the fire damper **a** of the dwelling closes, which prevents smokes from getting into the dwellings located above. Smoke goes then down the duct in the direction of the bottom dwellings. The counter pressure closes the CAF smoke dampers **b**, protecting these dwellings.

Legend :

-  BXC exhaust units
-  CAF smoke dampers
-  Fire dampers





CAF Smoke damper for BXC extract unit

Standard code

Airflow characteristics

Airflow reduction @ 120 Pa (in comparison with BXC extract unit alone) m³/h

Air leakage (closed position) @ 100 Pa m³/h

Pressure threshold for closing Pa

Acoustics

Acoustic power Lw @ BXC min airflow (12 m³/h), 100 Pa* dB(A)

Acoustic power Lw @ BXC max hygro airflow (70 m³/h), 100 Pa* dB(A)

Characteristics

Weight g

Colour

Material

Installation

Duct compatibility

Position

CAF

AEA370

1

< 3

10

34

37

114

black

PS, ABS GF

Ø125 mm (BXC requested)

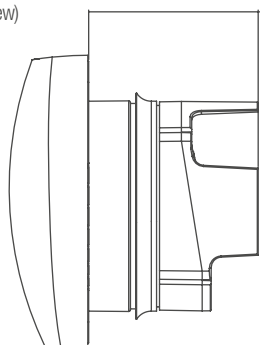
horizontal (requested)

* BXC fix shutter in minimum position

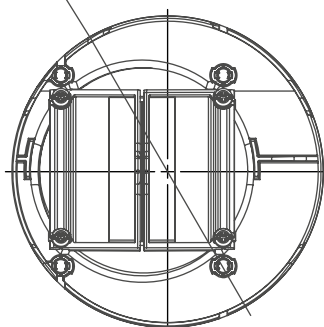
Dimensions in mm

Mounted with BXC extract unit
(side view)

97



Ø120



99

