

V4A PREMIUM

Acoustic whole house fan – 4 rooms



Silent: only 33 dB(A)*.



Low energy consumption: less than 13 W*.



Constant pressure: fitted to demand controlled exhaust units.



Easy to install: flat and compact, directly installed in living space.

Outlet 125 mm in diameter. Inlets 100 or 125 mm.



Easy to maintain: simple yearly cleaning of the removable impeller, accessible without tools.

*@ 40 m³/h



Silent operation and efficient ventilation of the whole dwelling

The V4A Premium fan is designed to ventilate a complete dwelling, with up to four exhaust units located in the kitchen, in the toilets, and in the bathrooms. Easily hidden in a wall cupboard or in a false ceiling, the V4A Premium will provide all the comfort and air quality you want. It uses an optimised EC-motor, and the electrical part is removable to facilitate maintenance.

An efficient motor

The speed of the V4A's EC-Motor (Electronic Commutation Motor) is controlled by an electronic card. The motor speed, associated with a special wheel, holds the pressure at 100 Pa to keep the airflow proportional to the variable cross-section of the connected demand controlled exhaust units. This keeps power consumption and noise emissions to a minimum.

Optimised for silence

The high efficiency EC-Motor is mounted on flexible links and is encased in a double-skin envelope: the V4A is totally optimised to work silently, allowing installation inside the dwelling.

User-friendly maintenance

Maintenance is simple because the fan is inside the dwelling: the cover is simply lifted off and the impeller is easy to remove thanks to a patented attachment system. And the electrical part is removable, so the motor can be replaced without removing the fan from its support.

12 VAC output for exhaust units with electrical airflow

The V4A fan integrates a 12 VAC transformer to supply up to four electrical exhaust units.





V4A PREMIUM

Acoustic whole house fan - 4 rooms

Standard code

Airflow characteristics

Max. airflow @ 100 Pa	m³/h
Max. pressure	Pa

Acoustics

Sound pressure level Lp (r = 2 m) [airflow in m³/h]	dB(A)
---	-------

Electrics

Power supply	
Motor type	
Power consumption [airflow in m³/h]	W
IP degrees of protection	

Characteristics

Weight	kg
Colour and material (envelope)	
Dimensions	mm

Installation

Max. available duct connections	
Max. connectable exhaust units (airflow capacity)	
Inlet (adaptors not supplied) - Outlet	mm
Installation	

Maintenance

Filter	
Cleaning	
Removable electrical part	

Operation

Direct-drive impeller	
Speed	RPM

Other functions

12 VAC output to supply 4 boost airflow exhaust units	
---	--

V4A Premium 100V

V4A199

210

118

33 [40] ; 35 [160]

100 VAC / 50 Hz

EC (Electronic commutation)

12.5 [40] ; 22 [160]

IP30

6.7

grey / PS

450 x 450 x 219

4

4

ø100 or ø125 - ø125

inside the heated volume / in protected non-inhabitable place (attic, etc.) / wall / ceiling / floor

-

easily openable cover (no tools needed) and dismantlable propeller

■ (motor change without taking off the fan)

■

1 350

■

V4A Premium 230V

V4A336

210

118

33 [40] ; 35 [160]

230 VAC / 50 Hz

EC (Electronic commutation)

12.5 [40] ; 22 [160]

IP30

6.7

grey / PS

450 x 450 x 219

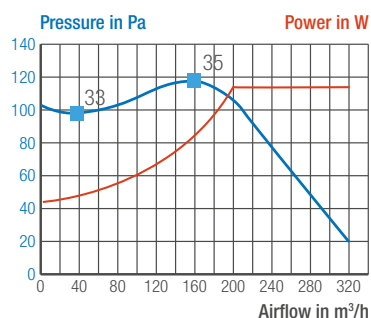
4

4

ø100 or ø125 - ø125

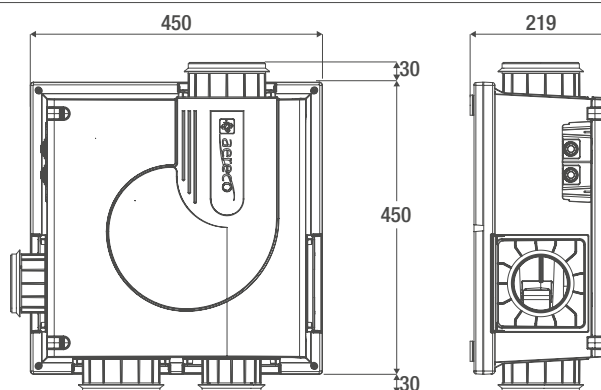
■ standard

Airflow characteristics



■ Sound pressure level Lp @ 2 m in dB(A)

Dimensions in mm



FLY37/BE_v4