

NEW

EAH²

Humidity sensitive air inlet for rolling shutter casings

Specially designed for rolling shutter casings.



Humidity sensitive system: modulates the airflow according to the local relative humidity rate.



Optional closing and opening device.



Vertical air jet for the comfort of the occupant.

Air admission hole and shutter not visible from the occupant.



Easy to install, no visible screws.



Easy to maintain: no adjustment, simple yearly-dusting.



Flat design for perfect integration

With its flat design and its special airtightness sleeve, the EAH² air inlet is perfectly fitted to equip rolling shutter casings. The air is admitted in the room through the top of the product, the hole and shutter are not visible for the occupant. Its mechanical sensor modulates the airflow according to the local humidity, automatically and without electricity. An optional closing and opening device is available to manually fix the airflow to the minimum or maximum, if requested. A patented* specific sleeve is proposed as accessory to increase the airflows of the standard versions.

Aesthetic integration (1)

The flat and compact design of the EAH² and its non-visible top shutter favorites its aesthetic integration, especially when mounted on rolling shutter casings. Its single frame front cover makes the painting easy to adapt to colored casings or windows.

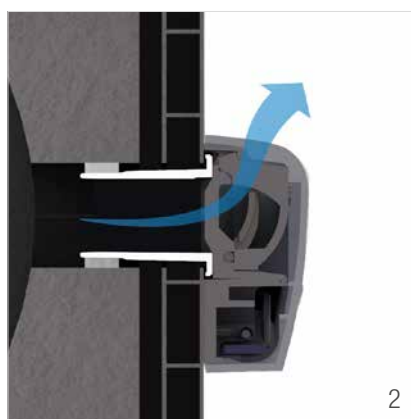
Improved airtightness through efficient accessories (2) (3)

A common issue with rolling shutter casings, notably when in PVC, is that the slot drilled on its façade for ventilation generates lateral leakages through the cells. To avoid this issue we have developed a specific sleeve, the T-EAH², that ensures the continuity between the inner part of the shutter casing and the air inlet, optimizing the acoustic and aeraulics performance. A back seal (S-EAH²) is also proposed to adapt to specific shape of rolling shutter casing (light curve, unflat façade, etc.). This accessory is stuck at the back of the air inlet (self-adhesive seal).

Rolling shutter casings, but not only

Although first dedicated to rolling shutter casings, the EAH² can also equip windows with large top frames or transom windows.

* patent pending





EAH² Humidity sensitive air inlet for rolling shutter casings

Air inlet		EAH ² 5-35	EAH ² 11-35	EAH ² 24	EAH ² 35
Standard code		EHP1219	EHP1220	EHP1221	EHP1222
Airflow characteristics					
Humidity sensitive		■	■	-	-
Closing + opening device		□ (EHP1198)	-	-	-
Airflow (min.-max.) @ 10 Pa standard version	m ³ /h	5-35	11-35	24	35
Airflow (min.-max.) @ 10 Pa with additional airflow sleeve E-EAH ²	m ³ /h	16-50	24-50	38	50
Acoustics					
Dn,e,w Acoustic attenuation @ max. opening, air inlet only	dB	33	33	33	33
Adjustment factors (C ; Ctr)	dB	(0 ; 0)	(0 ; 0)	(0 ; 0)	(0 ; 0)
Dn,e,w Acoustic attenuation @ max. opening, with specific canopy ⁽¹⁾	dB	35	35	35	35
Adjustment factors (C ; Ctr)	dB	(0 ; 0)	(0 ; 0)	(0 ; 0)	(0 ; 0)
Dn,e,w Acoustic attenuation ⁽¹⁾ @ max. opening, with specific canopy and airtightness sleeve T-EAH ²	dB	36	36	36	36
Adjustment factors (C ; Ctr)	dB	(0 ; -1)	(0 ; -1)	(0 ; -1)	(0 ; -1)
Dn,e,w Acoustic attenuation ⁽³⁾ @ max. opening, air inlet with rolling shutter casings	dB	Between 42 and 49			
Accessories					
Additional airflow sleeve			E-EAH ² (ref. AEA1216)		
Airtightness sleeve ⁽⁴⁾			T-EAH ² (ref. AEA1217)		
Flat back seal			S-EAH ² (ref. AEA1218)		
Characteristics					
Weight	g	156	156	138	138
Colours			white (front color) dark grey (shutter and technical parts)		
Material (main)		ABS, PS	ABS, PS	ABS, PS	ABS, PS
Installation					
Slot (entraxes)	mm		without sleeve: 250 x 20 mm with E-EAH ² or T-EAH ² : 250 x 25 mm		
Rolling shutter casing		■	■	■	■
Transom window		■	■	■	■
Wall ⁽⁵⁾		■	■	■	■
Destination room			bedroom / living room		

⁽¹⁾ Acoustics tests performed in CETIAT laboratory (test report CETIAT n°1663030-2).

⁽²⁾ With a specific canopy aimed at simulating the presence of rolling shutter casings.

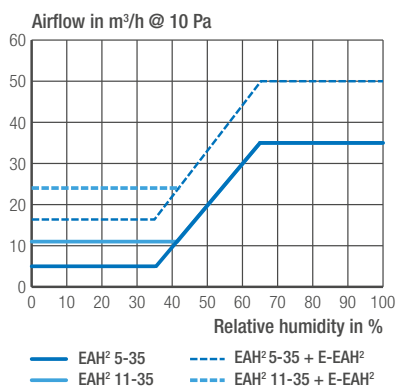
⁽³⁾ Depending on the type of roller shutter casings. Tests realized in IFT Rosenheim laboratory.

⁽⁴⁾ Not compatible with the E-EAH².

⁽⁵⁾ Needs the use of a duct adapted to the product.

■ standard | □ optional

Airflow characteristics



Dimensions in mm

