

## G2H

Multi-controlled exhaust unit for natural and hybrid ventilation



Fully automatic operation: exhaust airflow according to various parameters, such as humidity or presence.



Pull cord, switch, and remote auxiliary airflow control versions.



Indoor air quality and energy saving thanks to automatic airflow control.

Large air cross-section optimised for natural ventilation or hybrid ventilation, in new buildings or renovations.



Completely silent operation.



Fits directly on all types of air ducts (collective or individual, concrete or metal "shunts").



### A unique solution precisely optimised for natural and hybrid ventilation

The G2H is the first exhaust unit precisely optimised for natural (passive stack) and hybrid ventilation, in both new buildings and renovations. By providing both automatic control of the airflow according to needs and auxiliary airflows (manual or automatic), the G2H exhaust unit advantageously combines energy efficiency and indoor air quality. It offers a very large air cross-section to ensure the airflow even at a very low pressure, from 2 Pa. It is particularly easy to install, since it fits perfectly on collective or individual ducts designed for natural or hybrid ventilation.

### A smart and unique exhaust unit

The numerous modules available on the G2H exhaust unit meet various needs and occupancy modes in dwellings: humidity controlled to remove excess moisture quickly, presence detection, and even remote control to exhaust odours are some of the actuation modes available to optimise, at all times and in every room, both indoor air quality and energy consumption.

### An optimised solution to improve building energy performance

With settings precisely optimised, the G2H exhaust unit is an especially satisfying response to anyone wishing to combine energy efficiency, quiet operation, and ease of implementation, whether in a new or a renovated building.

### A very large air cross-section to accommodate low pressures

With an air cross-section of up to 163 cm<sup>2</sup> at maximum opening, the G2H exhaust unit ensures airflows even at very low pressure, from 2 Pa.





# G2H

 Exhaust unit for natural and hybrid ventilation

	G2H h	G2H hp	G2H hi	G2H hc	G2H hrc	G2H p	G2H i	G2H c	G2H rc
<b>Standard code</b>	G2H 1064EX	G2H 1065EX	G2H 1066EX	G2H 1067EX*	G2H 1068EX	G2H 1069EX	G2H 1070EX	G2H 1071EX	G2H 1072EX
<b>Airflow characteristics</b>									
Humidity sensitive	■	■	■	■	■	-	-	-	-
Boost airflow activated by presence detection*	-	■	-	-	-	■	-	-	-
Boost airflow activated by switch*	-	-	■	-	-	-	■	-	-
Boost airflow activated by remote control*	-	-	-	-	■	-	-	-	■
Boost airflow activated by pull cord*	-	-	-	■	-	-	-	■	-
Airflow** @ 10 Pa Humidity sensitive [boost]	m³/h 12-72	12-72 [160]	12-72 [160]	12-72 [160]	12-72 [160]	12 [72]	12 [72]	12 [72]	12 [72]
<b>Acoustics</b>									
Sound pressure level Lp @ 2 m max. RH, 10 / 25 Pa	dB(A)				22 / 36				
Sound pressure level Lp @ 2 m boost airflow, 10 Pa / 25 Pa	dB(A)				23 / 35				
<b>Supply</b>									
9 V battery	dB -	■	■	-	-	■	■	-	-
12 VAC supply with specific transformer code CAL195EX	dB -	□	□	-	(in- cluded)	□	□	-	(in- cluded)
<b>Characteristics</b>									
Colour	white	white	white	white	white	white	white	white	white
Material (main)	PS and ABS								
<b>Installation</b>									
Duct compatibility	mm	bracket only / rectangular hole: Hmax. x Lmax. = 125 x 200 / round hole: Ømax. = 135							
Destination room	bathroom	bath- room with WC	kitchen	kitchen	kitchen	WC	WC	WC	WC

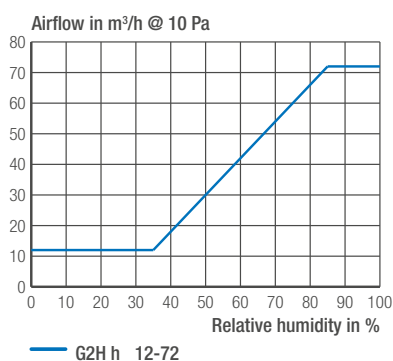
■ standard | □ optional

\*boost timer = 20 minutes

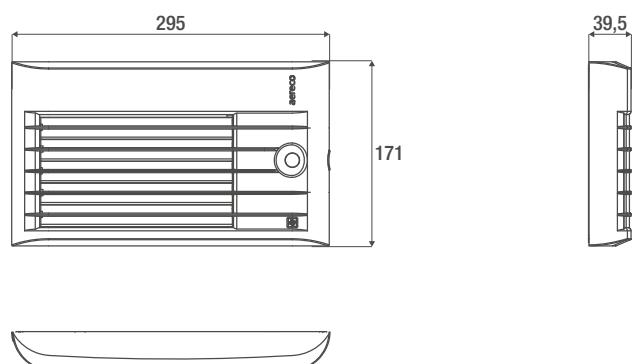
\*\*airflow for [125 x 200] mm hole

Note: other G2H versions available - please consult us.

Airflow characteristics



Dimensions in mm



FLY5016E\_Export\_V2